

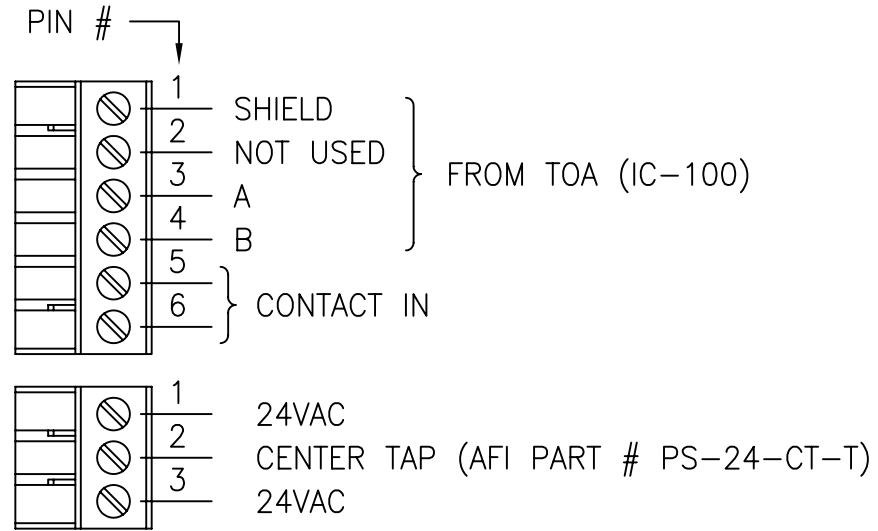
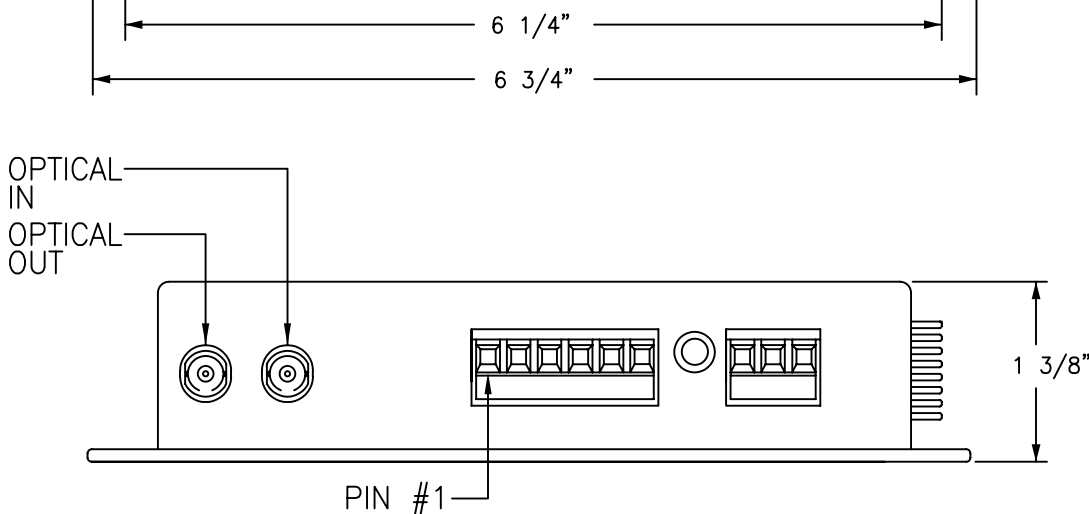
**afi**  
american fibertek

**FIBER OPTIC  
INTERCOM  
TRANSCEIVER**

**FIBER M S INTERCOM OLI** 24 VAC CT  
50 TO 60 Hz  
400 mA MAX  
Class 2 Wiring only

OLI - OPTICAL LEVEL INDICATOR:  
INDICATOR IS GREEN WHEN PROPER  
LEVEL IS PRESENT. IT IS RED WHEN  
SIGNAL IS MISSING OR AT INCORRECT  
LEVEL.

3 1/4" 5 3/4"



NOTE:  
MOUNTING DIMENSIONS  
3 1/4" x 6 1/4" O.C.

<p><b>afi</b> american fibertek 120 BELMONT DRIVE SOMERSET N.J.</p>		DATE: 14 SEPT 07		MR-89TX-2F-13S TOA OPTION XRS-101 EXCHANGE INTERFACE CUSTOMER ASSEMBLY DRAWING	
		ACAD FN.: MR-89TX-2F-13S CC			
SCALE: NONE	DWG BY: BLB	DWG. NO.:	SH. 1 OF 1	REV.:	CHK.: