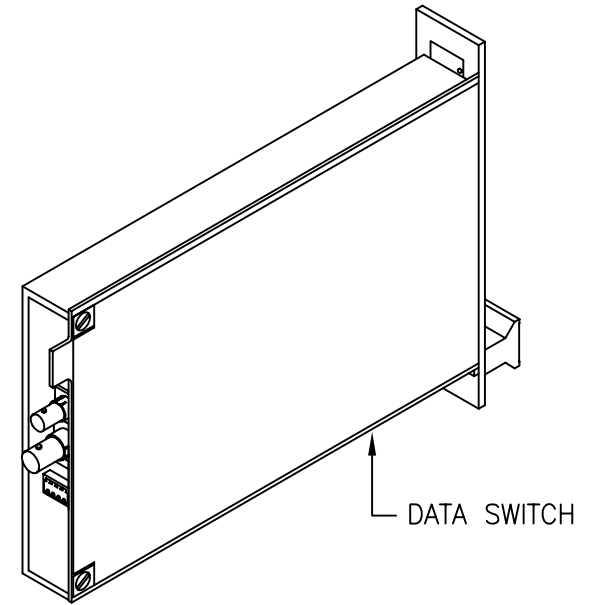
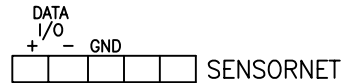


FIBER I/O

VIDEO OUT



DATA SWITCH

DATA SWITCH SETTINGS: ON IS DOWN								DATA CHANNEL CONFIGURATION
1	2	3	4	5	6	7	8	
OFF	ON	ON	OFF	OFF	OFF	OFF	OFF	SENSORNET (FACTORY SHIPPED)

DATA 1 TX/RX INDICATORS:
INDICATOR IS GREEN WHEN
DATA ACTIVITY IS PRESENT.
OFF WHEN NO DATA ACTIVITY
IS PRESENT.

DATA 2 TX/RX INDICATORS:
NOT USED.

VLI - VIDEO LEVEL INDICATORS:
OLI - OPTICAL LEVEL INDICATOR:
SYNC - SYNC INDICATOR:
INDICATORS ARE GREEN WHEN
PROPER SIGNALS/LEVELS ARE
PRESENT. THEY ARE RED WHEN
SIGNALS ARE MISSING OR AT
INCORRECT LEVELS.

THIS IS THE FACTORY SHIPPED
DATA CHANNEL CONFIGURATION.
THE DATA CHANNELS ARE USER
CONFIGURABLE. SEE INSTRUCTION
MANUAL.

 afi american fibertek 120 BELMONT DRIVE SOMERSET N.J.	DATE: 12 MAY 07		RR-911			
	ACAD FN.: RR-911 CC		CUSTOMER ASSEMBLY DRAWING			
	SCALE: NONE	DWG BY: BLB/CLQ	DWG. NO.:	SH. OF	REV.:	CHK.: