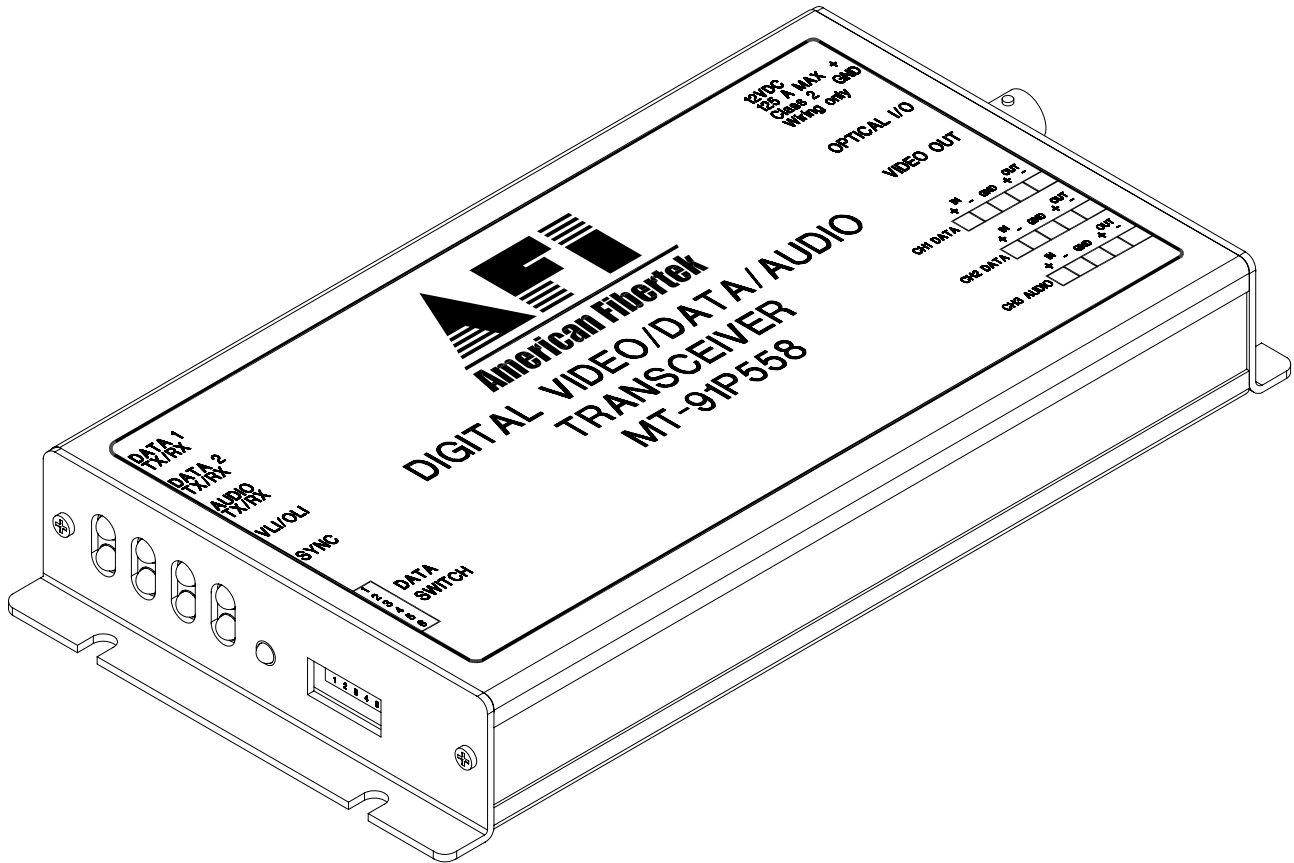


# afi

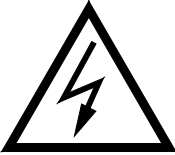

120 Belmont Drive  
Somerset, NJ 08873-1204

american fibertek Phone: 732.302.0660 Fax: 732.302.0667



## Instruction Manual

### MT-91P558 Video Transmitter With Bi-directional Multi-Protocol Data And Audio

 <div style="display: inline-block; text-align: center; border: 2px solid black; padding: 5px; margin: 0 20px;"> <b>CAUTION</b> </div>  <p style="text-align: center; margin-top: 5px;"> <b>RISK OF ELECTRIC SHOCK, DO NOT OPEN WITH POWER APPLIED</b> </p>
<p><b>WARNING: TO PREVENT FIRE OR SHOCK HAZARD, DO NOT EXPOSE THIS UNIT TO RAIN OR MOISTURE</b></p> <p><b>NO USER SERVICEABLE PARTS INSIDE REFER SERVICE TO QUALIFIED SERVICE PERSONNEL</b></p>

## Table of Contents

Functional Description .....	3
Installation .....	3
Power Source .....	3
Power Connection .....	4
Fiber Connection .....	4
Video Input Connection .....	4
Data Input / Output Connections .....	5
Typical System Data Connections.....	5
Data Configuration.....	5
RS485 Data Signals .....	6
Offset Bias - RS485.....	6
MT-91P558 Status LED Indicators .....	7
Warranty .....	8
Service Information.....	8

# INSTALLATION AND OPERATION INSTRUCTIONS

## INTRODUCTION

Thank you for purchasing your American Fibertek MT-91P558 multimode video transmitter with two channels of bi-directional multi-protocol data and one channel of bi-directional audio. Please take a few minutes to read these installation instructions in order to obtain the maximum performance from this product.

## FUNCTIONAL DESCRIPTION

The MT-91P558 operates as half of a transmitter / receiver pair for the transmission of high performance 10 bit digital NTSC, PAL, RS170, or RS343 video signals. The MT-91P558 also supports two bi-directional channels of RS485 (2 or 4 wire), RS422, RS232 or Manchester data. A third channel supports bi-directional four wire audio.

**NOTE: This unit is shipped in the following default configuration. For other configurations, please refer to the DATA CONFIGURATION section for changes to the default switch settings.**

**Channel 1: RS485 (4 wire) or Manchester data**

**Channel 2: RS485 (4 wire) or Manchester data**

**Channel 3: Audio**

The MT-91P558 is designed to operate with the MR-91P558 or RR-91P558 video receiver with bi-directional data and audio over one multimode fiber optic cable.

The MT-91P558 multiplexes a single video input signal along with two data signals and one audio signal into a high speed serial data stream. This serial data stream modulates a laser at 1310 nm wavelength. The MT-91P558 also detects and demultiplexes a return optical serial data stream signal containing two data signals and one audio signal at 1550 nm wavelength. The 91P558 Series product is designed to operate over an optical loss budget range of 0 to 12 dB with a maximum distance of 4Km. Refer to the data sheet for detailed performance specifications.

The RS485 channel may be configured for 2-wire (half duplex) or 4-wire (full duplex) operation with or without biasing. Switch selectable internal 120 ohm terminations are available for RS422 or RS485 data.

This unit is contained in a rugged aluminum housing with internal dc voltage regulation. The detachable terminal blocks and LED indicators provide for easy installation and monitoring of video, data, audio, and optical power.

The MT-91P558 is designed for mounting as a modular stand alone unit. For a rack mounted version please see the RT-91P558.

## INSTALLATION

**THIS INSTALLATION SHOULD BE MADE BY A QUALIFIED SERVICE PERSON AND SHOULD CONFORM TO THE NATIONAL ELECTRICAL CODE, ANSI/NFPA 70 AND LOCAL CODES.**

Mount the unit to a secure surface using #8 (3mm) hardware in four places. See the drawing on the next page for mounting dimensions. Be sure to allow sufficient room for the required minimum bend radius of the fiber cable used.

## POWER SOURCE

**THIS PRODUCT SHALL BE POWERED BY A LISTED CLASS 2 POWER SUPPLY ONLY.**

This unit requires a +12VDC power source with a current rating of 1.25 amps for proper operation. The DC input is diode protected. In the USA and in Canada an American Fibertek PS-12D is supplied with this unit. The negative side of the power input is directly connected to ground. ANSI/NFPA 70 Class 2 wiring is recommended.

**POWER CONNECTION**

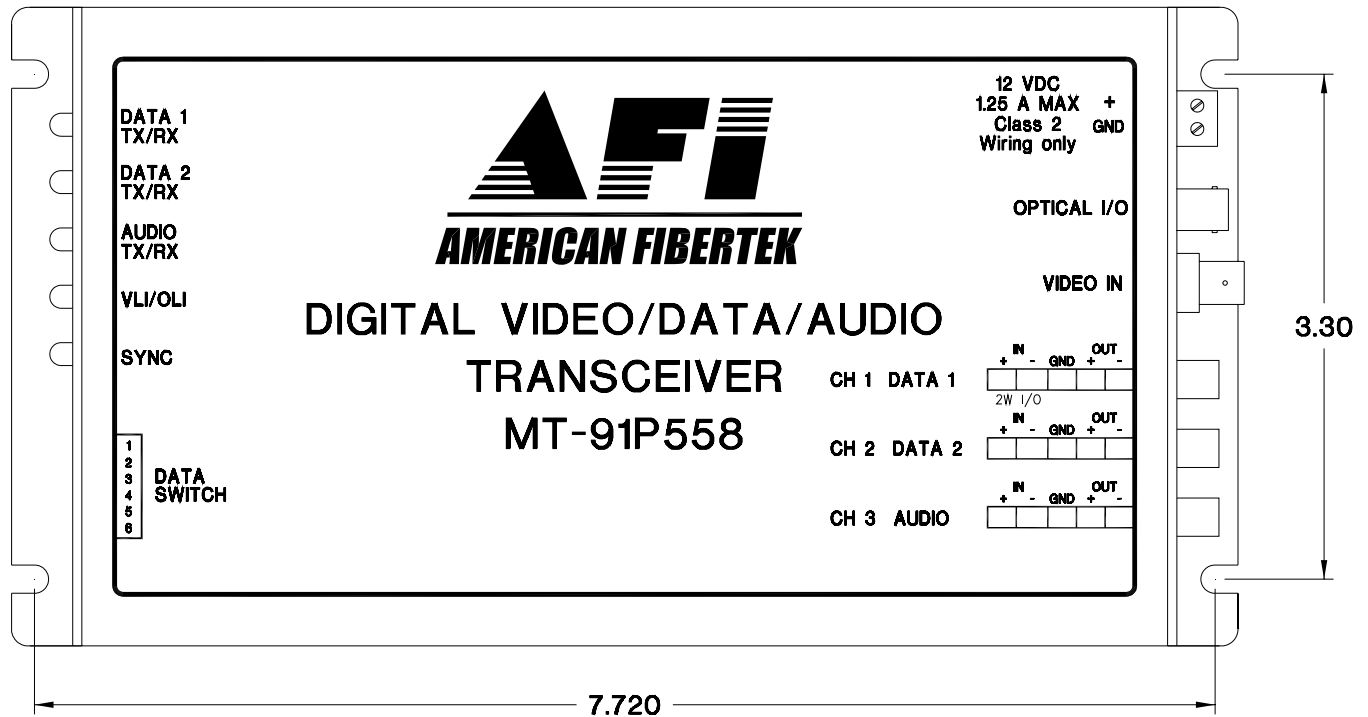
Power is supplied to the unit via a two pin terminal connector on the right side of the unit. Follow the label on unit for proper orientation of +12 volt dc and ground.

**FIBER CONNECTION**

The fiber optic connection is made via a ST connector located on the right side of the unit.

**VIDEO INPUT CONNECTION**

The video input connection is made via a BNC connector on the right side of the unit. The video input should be connected to an appropriate 75Ω baseband video source such as a camera or a video recorder output. For optimum performance the video cables should be the shortest length of coax practical.

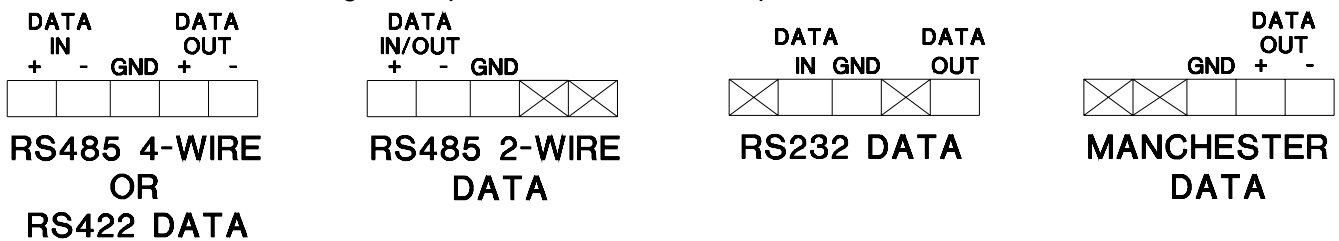


**AUDIO INPUT / OUTPUT CONNECTIONS**

Audio input and output connections are made via a terminal block on the right side of the unit. Follow the label on unit for proper orientation of input and output connections. Please note that the far right pin on the label (DATA OUT-) corresponds with the terminal block pin located closest to the base of the unit.

**DATA INPUT / OUTPUT CONNECTIONS**

Data input and output connections are made via terminal blocks on the right side of the unit. See the drawings below for proper orientation of input and output connections. Please note that the far right pin on each connection drawing corresponds with the terminal pin located closest to the base of the unit.



## TYPICAL SYSTEM DATA CONNECTIONS

The RS422 or RS485 four wire interconnection between the MT-91P558 and the copper device to which it is attached is based on industry standard EIA terminology for the transmission of electronic data signals. Using this terminology, the driver of an electronic signal is labeled TX or Data Out. Correspondingly, the receiver of an electronic signal is labeled RX or Data In. Following this standard, the Data Out of the copper device is connected to the Data In of the MT-91P558. The plus terminal of the copper device is connected to the plus terminal of the MT-91P558 and the minus is connected to the minus. The reverse flow of data from the MT-91P558 to the copper device follows the same pattern. Not all manufactures follow standard EIA terminology. Consult the installation instructions for your copper device if you are unsure which two wires are the drive (data out) wires and which two wires are the receive (data in) wires.

## DATA CONFIGURATION

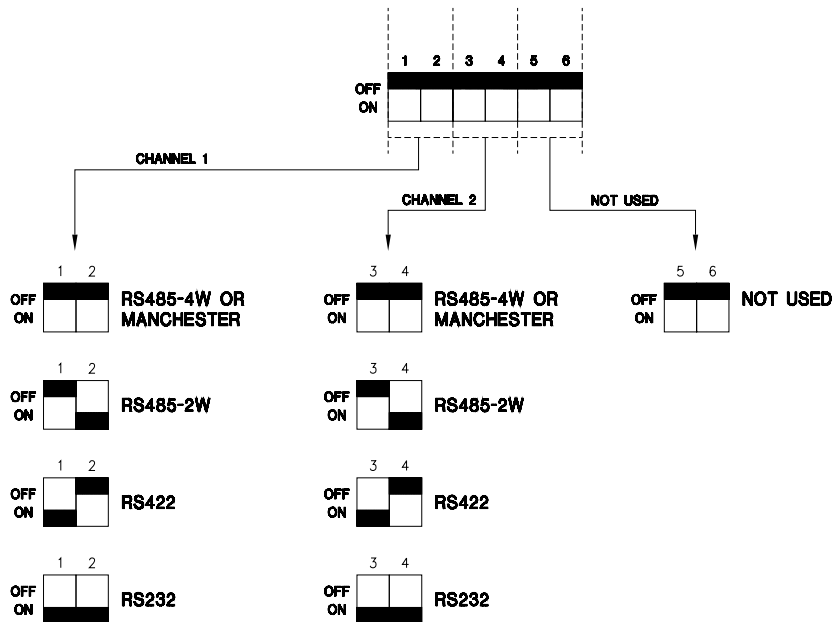
**NOTE: This unit is shipped in the following default configuration.**

**Channel 1: RS485 (4 wire) or Manchester data**

**Channel 2: RS485 (4 wire) or Manchester data**

**Channel 3: Audio**

For other configurations, please refer to the drawing below for changes to the default switch settings. These configuration switches are located on the left side of the unit and can be modified without opening the unit.

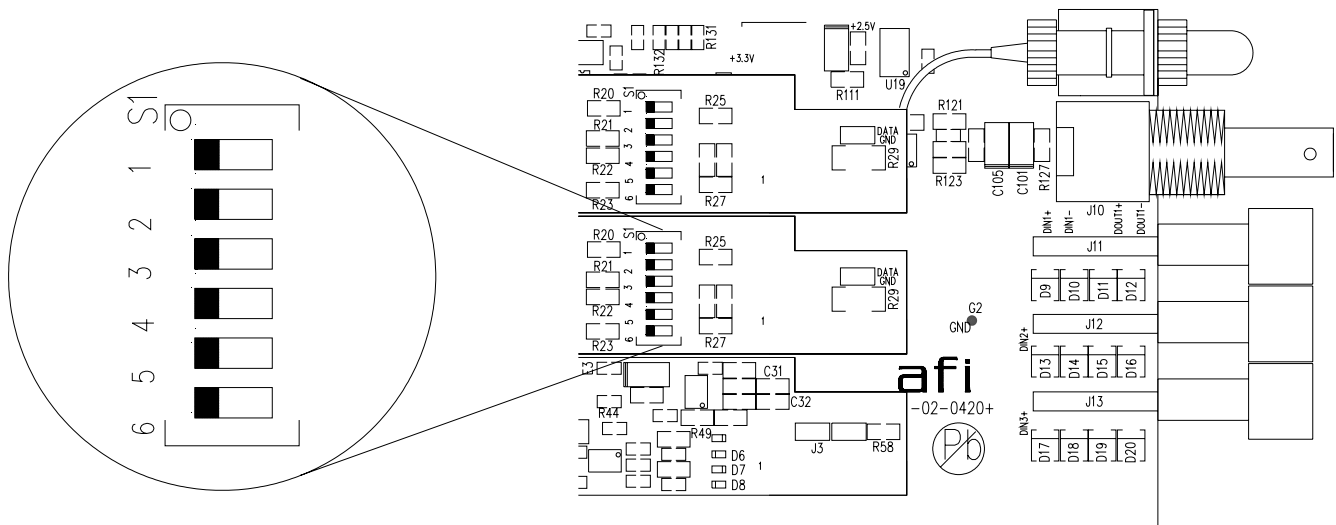


## CHANNEL BIAS/TERMINATION SWITCHES

Switches are available internally that allow offset bias and termination features to be activated when using RS485 data. These switches also allow termination features to be activated when using RS422 data. In order to reconfigure the RS485/422 channel, the module needs to be opened up. To open the MT-91P558, remove the end panel on the terminal block side and remove the screw on the bottom of the module. Slide the PCB assembly out about half way. The configuration switch banks are located at the center of the PCB. The switch bank for channel 1 is located in line with the BNC connector. The switch bank for channel 2 is located in line with the data terminals (See the drawing on the next page). The chart to the right describes the layout of each switch bank.

	ON/CLOSED	OFF/OPEN
S1-1	485/422 INPUT BIAS	NO BIAS
S1-2	485/422 INPUT TERM.	NO TERM.
S1-3	485/422 INPUT BIAS	NO BIAS
S1-4	485/422 OUTPUT BIAS	NO BIAS
S1-5	485/422 OUTPUT TERM.	NO TERM.
S1-6	485/422 OUTPUT BIAS	NO BIAS

The MT-91P558 is shipped with these switches in the off (left) position. When transmitting RS232 or Manchester data, the bias and termination switches must remain in the off (left) position. The top S1 switch bank corresponds to channel 1. The middle switch bank (shown below in exploded view) corresponds to channel 2. To turn bias or termination functions on, slide the appropriate switch to the right.



Please remember when using offset bias switches that they must be used in pairs. If switch # 1 is on then switch # 3 must also be on. The same situation applies for switch # 4 and switch # 6. Also, if using offset bias, it is important that the corresponding termination resistor switch be in the on position. Using offset bias without a termination on the line will cause communications to fail. An explanation follows on general bias and termination guidelines.

### RS485 DATA TERMINATION

The RS485 protocol is an expanded version of the original RS422 protocol. RS485 differs from RS422 in the ability of the transmitter devices to go into a high impedance (Hi-Z) state. This allows multiple transmitter devices to reside on the same wire pair. The software must dictate a protocol that allows only one device to transmit at any one time to prevent data crashes. In many cases the system head end controller will continuously poll data from all remote devices. The remote devices all respond back to the head end (one at a time) as they are addressed. The driver chips that are used in RS485 communications are capable of changing into their high impedance state very rapidly. On even short lengths of wire there can exist a residual voltage after a driver circuit turns off. This can interfere with circuits that are used to detect the Hi-Z state. It is very important that the copper communications lines be terminated with resistors across the data wire pair. The best place to locate such resistors is at the furthest electrical devices at the ends of the wire pair. For instance, if several RS485 devices are connected in a daisy chain fashion, the wire connection would loop across all devices in a chain. The furthest two points in the chain would need to be terminated.

### OFFSET BIAS – RS485

The RS485 specification requires receivers to detect input signals down to 200mVp-p of voltage level. In many cases this can cause systems to be sensitive to noise on the data wires. In an effort to eliminate the effects of low levels of noise, some manufacturers of equipment that communicate using RS485 have introduced a small voltage bias to the data lines. This is usually accomplished using a 470 Ohm resistance to +5V on the positive line and 470 Ohm resistance to ground on the negative line. When used in conjunction with the appropriate termination resistors referred to in the previous section, this introduces about a 300 mV offset, improving noise immunity.

## MT-91P558 STATUS INDICATORS

The MT-91P558 transmitter provides the following LED status indicators to aid in installation and troubleshooting:

### DATA TX/RX INDICATORS

DATA TX and DATA RX indicators are provided to monitor each of the available data channels. DATA 1 TX and DATA 1 RX correspond with DATA CH 1 input/output. Indicators for Channel 2 are also provided. An explanation follows for these DATA TX and DATA RX indicators.

#### DATA TX

A green LED indicator is provided to monitor the data coming in from the electrical interface, through the MT-91P558, and out onto the fiber. The intensity of this indicator will vary with input data patterns, however in typical applications it will cycle on and off as data is transmitted. Data transmitted status associated with this LED is summarized below.

DATA TX LED	Data Status
Green	Data Flow Present
Off	Data Flow Not Detected

#### DATA RX

A green LED indicator is provided to monitor the data coming in from the fiber, through the MT-91P558, and out onto the electrical interface. The intensity of this indicator will vary with input data patterns, however in typical applications it will cycle on and off as data is received. Data received status associated with this LED is summarized below.

DATA RX LED	Data Status
Green	Data Flow Present
Off	Data Flow Not Detected

#### AUDIO TX

A green LED indicator is provided to monitor the audio coming in from the electrical interface, through the MT-91P558, and out onto the fiber. The intensity of this indicator will vary with input audio levels, however in typical applications it will cycle on and off as audio is transmitted. Audio transmission status associated with this LED is summarized below.

AUDIO TX LED	Audio Status
Green	Audio Present at Proper Signal Level
Off	Audio Signal Not Detected

#### AUDIO RX

A green LED indicator is provided to monitor the audio coming in from the fiber, through the MT-91P558, and out onto the electrical interface. The intensity of this indicator will vary with input audio levels, however in typical applications it will cycle on and off as audio is received. Audio received status associated with this LED is summarized below.

AUDIO RX LED	Audio Status
Green	Audio Present at Proper Signal Level
Off	Audio Signal Not Detected

#### VLI

A bi-color LED indicator is provided for the video input to the MT-91P558. DC power and video status associated with this LED is summarized on the next page.

Video Presence LED	DC Power Status	Video Status
Green	On	Proper Input Video Present
Red	On	Input Video Not Detected
Off	Off	Check Power Supply

**OLI**

A bi-color LED indicator monitors the optical input power of the data signal that is being received at the MT-91P558 from the MR-91P558 or the RR-91P558. DC power and optical input status associated with this LED are summarized below.

Optical Level Indicator	DC Power Status	Optical Status
Green	On	Proper Optical Input Power Present
Red	On	Optical Input Not Detected
Off	Off	Check Power Supply

**SYNC**

A bi-color LED indicator is provided to monitor the proper serialization of the electrical data stream through the MT-91P558 and out onto the fiber. DC power and sync status associated with this LED is summarized below.

Sync LED	DC Power Status	Sync Status
Green	On	Proper Data Stream Serialization Present
Red	On	Data Stream Serialization Not Detected
Off	Off	Check Power Supply

**This unit complies with 21 CFR  
1040.10 and 1040.11**

**LIFETIME WARRANTY INFORMATION**

American Fibertek, Inc warrants that at the time of delivery the products delivered will be free of defects in materials and workmanship. Defective products will be repaired or replaced at the exclusive option of American Fibertek. A Return Material Authorization (RMA) number is required to send the products back in case of return. All returns must be shipped prepaid. This warranty is void if the products have been tampered with. This warranty shall be construed in accordance with New Jersey law and the courts of New Jersey shall have exclusive jurisdiction over this contract. **EXCEPT FOR THE FOREGOING WARRANTY, THERE IS NO WARRANTY OF MERCHANTABILITY OR FITNESS FOR A PARTICULAR PURPOSE OR OTHERWISE, EXPRESSED OR IMPLIED, WHICH EXTENDS BEYOND THE WARRANTY SET FORTH IN THIS AGREEMENT.** In any event, American Fibertek will not be responsible or liable for contingent, consequential, or incidental damages. No agreement or understanding, expressed or implied, except as set forth in this warranty, will be binding upon American Fibertek unless in writing, signed by a duly authorized officer of American Fibertek.

**SERVICE INFORMATION**

There are no user serviceable parts inside the unit.

In the event that service is required to this unit, please direct all inquiries to:

American Fibertek, Inc.  
120 Belmont Drive  
Somerset, NJ 08873

Phone: (877) 234-7200  
Phone: (732) 302-0660  
FAX (732) 302-0667

E-mail: [techinfo@americanfibertek.com](mailto:techinfo@americanfibertek.com)