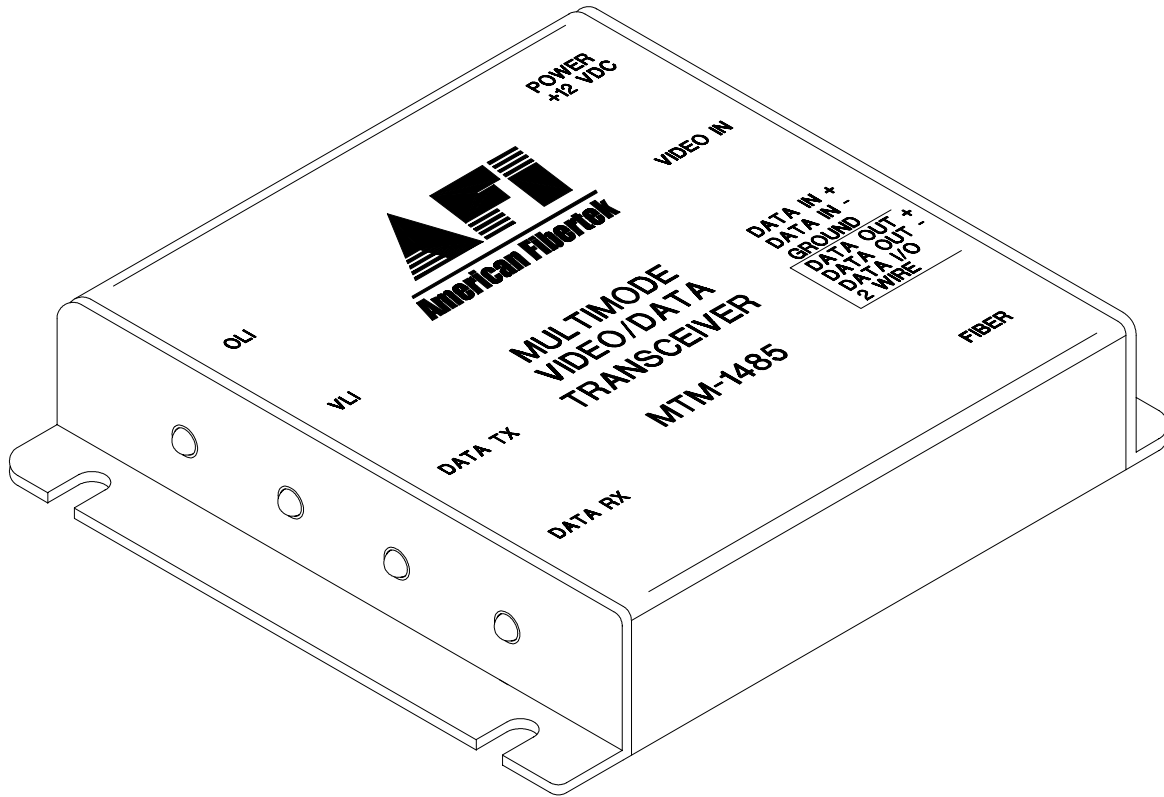




120 Belmont Drive  
Somerset, NJ 08873-1204

**American Fibertek**

Phone: 732.302.0660 Fax: 732.302.0667



## Instruction Manual

# MTM-1485 Video Transmitter With Bi-directional RS485 Data

# Table of Contents

Functional Description..... 3

Installation..... 3

Power Source..... 3

Power Connection..... 3

Input / Output Connections ..... 4

Data Configuration ..... 4

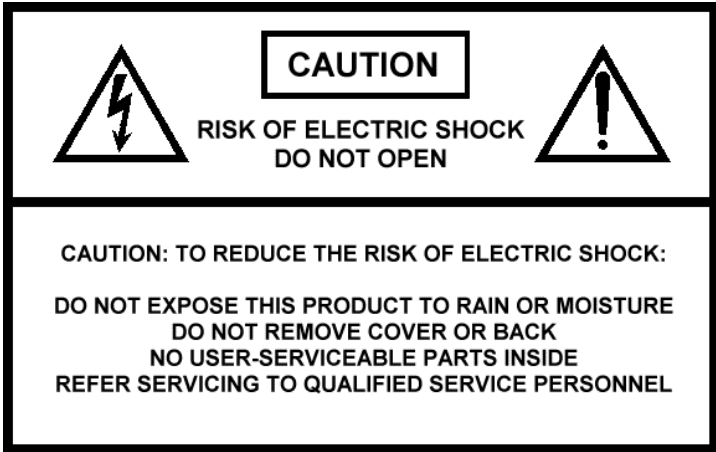
Switch/Jumper Settings..... 5

MTM-1485 Status LED Indicators ..... 6

RS-485 Termination and Offset Bias Requirements..... 7

Warranty ..... 8

Service Information ..... 8



# INSTALLATION AND OPERATION INSTRUCTIONS

## INTRODUCTION

Thank you for purchasing your American Fibertek MTM-1485 multimode mini video transmitter with RS485 transceiver. Please take a few minutes to read these installation instructions in order to obtain the maximum performance from this product.

## FUNCTIONAL DESCRIPTION

The MTM-1485 operates as half of a transmitter / receiver pair for the transmission of baseband NTSC, PAL, RS170, or RS343 video signals and bi-directional RS485 data. It is designed to operate with the MRM-1485 or RRM-1485 video receiver with RS485 transceiver over a single multimode fiber optic cable.

The MTM-1485 converts a single video input along with a single RS485 input into a FM modulated optical fiber output using a 1300 nm wavelength source. The MTM-1485 also converts an optical RS485 signal returning on the same fiber into an electronic RS485 output using an 850 nm wavelength detector. This unit may be configured for two wire half duplex or four wire full duplex electrical interfaces. The M1485 Series product is designed to operate over an optical loss budget range of 0 to 12 dB. The MTM-1485 operates on 50 um or 62.5 um multimode fiber. Refer to the data sheets for detailed performance specifications.

This unit is contained in a compact and rugged aluminum housing with internal dc voltage regulation. The detachable terminal block and LED indicators provide for easy installation and monitoring of video, data, and dc power.

The MTM-1485 is designed for mounting as a modular stand alone unit. For a rack mounted version please see the RTM-1485.

## INSTALLATION

THE INSTALLATION OF THIS UNIT SHOULD BE MADE BY A QUALIFIED SERVICE PERSON(S) AND MUST CONFORM TO ALL LOCAL CODES.

Mount the unit to a secure surface using #8 (3mm) hardware in four places. See the drawing on the next page for mounting dimensions. Be sure to allow sufficient room for the required minimum bend radius of the fiber cable used.

## POWER SOURCE

This unit requires a +12VDC power source for proper operation. The DC input is diode protected. In the USA and in Canada an American Fibertek PS-12 is supplied with this unit. The negative side of the power input is directly connected to ground. ANSI/NFPA 70 Class 2 wiring is recommended.

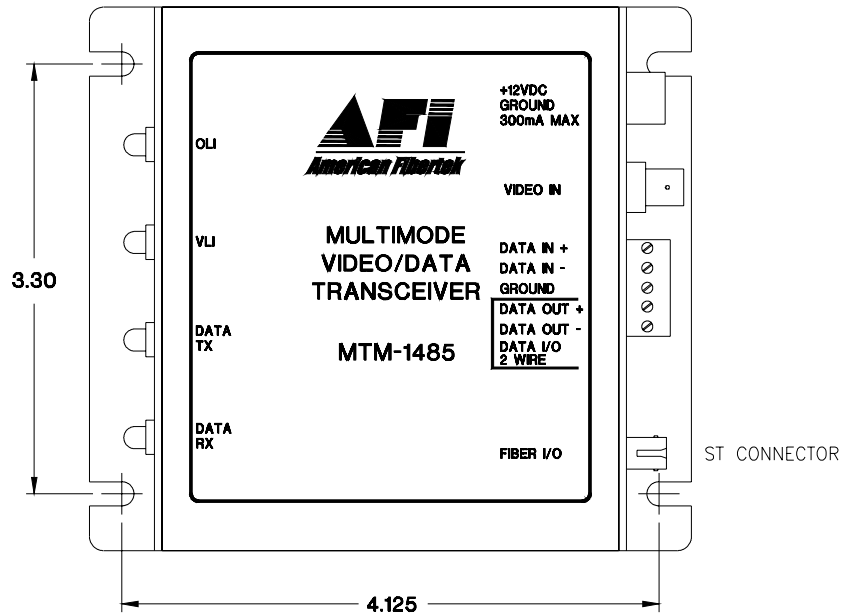
## POWER CONNECTION

Power is supplied to the unit via a two pin terminal connector. Follow label on unit for proper orientation of +12 volt dc and ground.

## INPUT / OUTPUT CONNECTIONS

The fiber optic connection is made via a ST connector located on the right side of the unit.

The video input connection is made via a BNC connector on the right side of the unit. The video input should be connected to an appropriate 75Ω baseband video source such as a camera or a video recorder output. For optimum performance the video cables should be the shortest length of coax practical.



Data input and output connections are made via a terminal block on the right side of the unit. Follow label on unit for proper orientation of RS485 data input and output. Please note that two wire applications utilize the four wire data out + and data out - terminals.

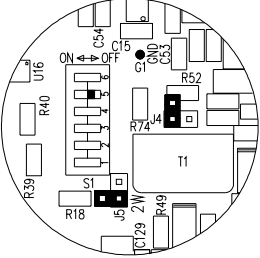
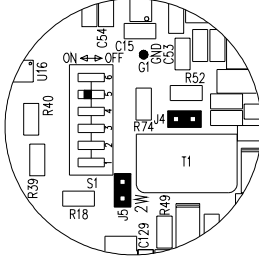
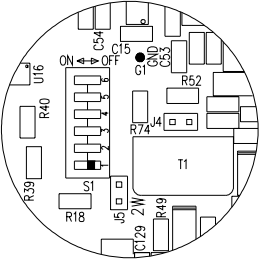
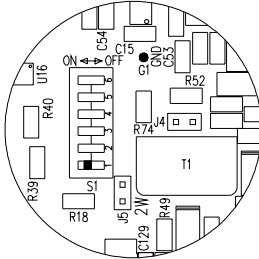
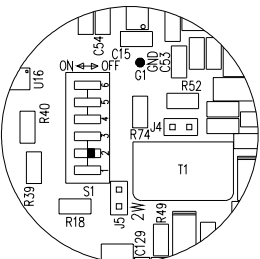
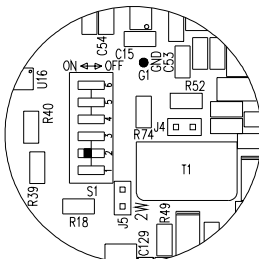
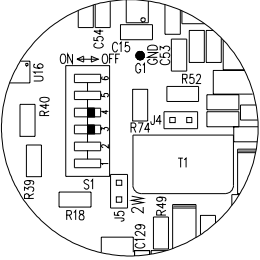
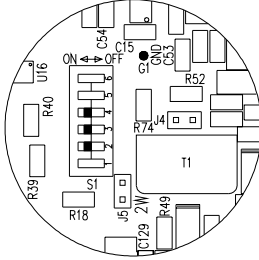
## DATA CONFIGURATION

The MTM-1485 is shipped from the factory in the RS485 4-wire configuration. In order to configure the unit for RS485 two wire operation, the unit needs to be opened up and several switch settings and jumper pins need to be modified using the internal switch/jumper settings shown on the next page.

The MTM-1485 is shipped from the factory with internal data input and output 120 ohm terminations switched on. In order to remove the internal terminations, the unit needs to be opened up and several switch settings need to be modified using the internal switch/jumper settings shown on the next page.

See page 7 for an explanation of termination and offset bias requirements for RS485 data. To open the MTM-1485, remove the screw on the bottom of the module. Also remove two screws holding the end panel to the chassis on the side with the video and data connections. Slide PCB assembly out of chassis to access the switch and jumper locations.

## MTM-1485 INTERNAL SWITCH/JUMPER SETTINGS

<p style="text-align: center;"><b>SWITCH #5</b> 2 Wire/ 4 Wire Set</p>	 <p style="text-align: center;"><b>4 Wire (Full Duplex)</b> Remove 2 pin shunts across J4,J5. Shunts are plugged in without jumping the 2 pin connection to be available if necessary to reconfigure the units. <b>Switch #5 OFF</b></p>	 <p style="text-align: center;"><b>2 Wire (Half Duplex)</b> Jumper 2 pin headers J4,J5 with 2 pin shunts <b>Switch #5 ON</b></p>
<p style="text-align: center;"><b>SWITCH #1</b> Input Data Termination</p> <p><b>NOTE:</b> This switch must be OFF for 2 Wire RS485</p>	 <p style="text-align: center;"><b>No Input Termination</b> <b>Switch #1 OFF</b></p>	 <p style="text-align: center;"><b>120 Ohm Input Termination</b> <b>Switch #1 ON</b></p>
<p style="text-align: center;"><b>SWITCH #2</b> Output Data Termination</p>	 <p style="text-align: center;"><b>No Output Term.</b> <b>Switch #2 OFF</b></p>	 <p style="text-align: center;"><b>120 Ohm Output Term.</b> <b>Switch #2 ON</b></p>
<p style="text-align: center;"><b>SWITCH #3,#4</b> Output Data Bias</p>	 <p style="text-align: center;"><b>No Output Bias</b> <b>Switch #3, #4 OFF</b></p>	 <p style="text-align: center;"><b>Output Bias</b> <b>Switch #2, #3, #4 ON</b> Bias Requires Termination</p>

## MTM-1485 STATUS INDICATORS

The MTM-1485 transmitter provides the following LED status indicators to aid in installation and troubleshooting:

### OLI

A bi-color LED indicator monitors the optical input power of the data signal that is being received at the MTM-1485 from the MRM-1485 or the RRM-1485. DC power and optical input status associated with this LED are summarized below.

Optical Level Indicator	DC Power Status	Optical Status
Green	On	Proper Optical Input Power Present
Red	On	Optical Input Not Detected
Off	Off	Check Power Supply

### VLI

A bi-color LED indicator is provided for the video input to the MTM-1485. DC power and video status associated with this LED is summarized below.

Video Presence LED	DC Power Status	Video Status
Green	On	Proper Input Video Present
Red	On	Input Video Not Detected
Off	Off	Check Power Supply

### DATA TX

A red LED indicator is provided to monitor the RS485 input data from the electrical interface, through the MTM-1485, and out onto the fiber. The intensity of this indicator will vary with input data patterns, however in typical applications it will cycle on and off as data is transmitted. RS485 status associated with this LED is summarized below.

DATA TX LED	RS485 Status
Red	Data Flow Present
Off	Data Flow Not Detected

### DATA RX

A red LED indicator is provided to monitor the RS485 data coming in from the fiber, through the MTM-1485, and out onto the electrical interface. The intensity of this indicator will vary with input data patterns, however in typical applications it will cycle on and off as data is received. RS485 status associated with this LED is summarized below.

DATA RX LED	RS485 Status
Red	Data Flow Present
Off	Data Flow Not Detected

### RS485 Data Signals

The RS485 protocol is an expanded version of the original RS422 protocol. RS485 differs from RS422 in the ability of the transmitter devices to go into a high impedance (Hi-Z) state. This allows multiple transmitter devices to reside on the same wire pair. The software must dictate a protocol that allows one device to transmit at any one time to prevent data crashes. Data wiring can use two wires or four wires. Using two wires the system works in half duplex. This means that data is exchanged between two points sequentially. When a four-wire system is used, the system may be full duplex. In many cases the system head end controller will continuously poll data from all remote devices. The remote devices all respond back to the head end (one at a time!) as they are addressed. This property of the network rests solely in the hands of the software or firmware.

The driver chips used in RS485 communications are capable of changing into their high impedance state very rapidly. On even short lengths of wire there can exist a residual voltage after a driver circuit turns off. This can interfere with circuits that are used to detect the Hi-Z state. It is very important that the copper communications lines be terminated with resistors across the data wire pair. The best place to locate such resistors is at the furthest electrical devices at the ends of the wire pair. For instance, if several RS485 devices are connected in a daisy chain fashion, the wire connection would loop across all devices in a chain. The furthest two points in the chain would need to be terminated. A termination resistor for RS485 input data can be selected in the MTM-1485 using switch # 1. A termination resistor for RS485 output data can be selected in the MTM-1485 using switch # 2.

### OFFSET BIAS – RS485

The RS485 specification requires receivers to detect input signals down to 200mVp-p of voltage level. In many cases this can cause systems to be sensitive to noise on the data wires. In an effort to eliminate the effects of low levels of noise, some manufacturers of equipment that communicate using RS485 have introduced a small voltage bias to the data lines. This is usually accomplished using a 470 Ohm resistance to +5V on the positive line and 470 Ohm resistance to ground on the negative line. When used in conjunction with the appropriate termination resistors referred to in the previous section, this introduces about a 300 mV offset, improving noise immunity.

Offset bias for RS485 can be applied on the MTM-1485 by setting switch # 3 and switch # 4 on. Please note that these switches work as a set and must be either both on or both off. In a majority of cases, bias will not be required and these switches should remain in the off position. If using offset bias, it is important that termination resistor switch # 2 be on (applied) position. Using offset bias without a termination on the line will cause communications to fail.

### LIFETIME WARRANTY INFORMATION

American Fibertek, Inc warrants that at the time of delivery the products delivered will be free of defects in materials and workmanship. Defective products will be repaired or replaced at the exclusive option of American Fibertek. A Return Material Authorization (RMA) number is required to send the products back in case of return. All returns must be shipped prepaid. This warranty is void if the products have been tampered with. This warranty shall be construed in accordance with New Jersey law and the courts of New Jersey shall have exclusive jurisdiction over this contract. **EXCEPT FOR THE FOREGOING WARRANTY, THERE IS NO WARRANTY OF MERCHANTABILITY OR FITNESS FOR A PARTICULAR PURPOSE OR OTHERWISE, EXPRESSED OR IMPLIED, WHICH EXTENDS BEYOND THE WARRANTY SET FORTH IN THIS AGREEMENT.** In any event, American Fibertek will not be responsible or liable for contingent, consequential, or incidental damages. No agreement or understanding, expressed or implied, except as set forth in this warranty, will be binding upon American Fibertek unless in writing, signed by a duly authorized officer of American Fibertek.

### SERVICE INFORMATION

There are no user serviceable parts inside the unit.

In the event that service is required to this unit, please direct all inquiries to:

American Fibertek, Inc.  
120 Belmont Drive  
Somerset, NJ 08873

Phone: (877) 234-7200  
Phone: (732) 302-0660  
FAX (732) 302-0667

E-mail: [techinfo@americanfibertek.com](mailto:techinfo@americanfibertek.com)