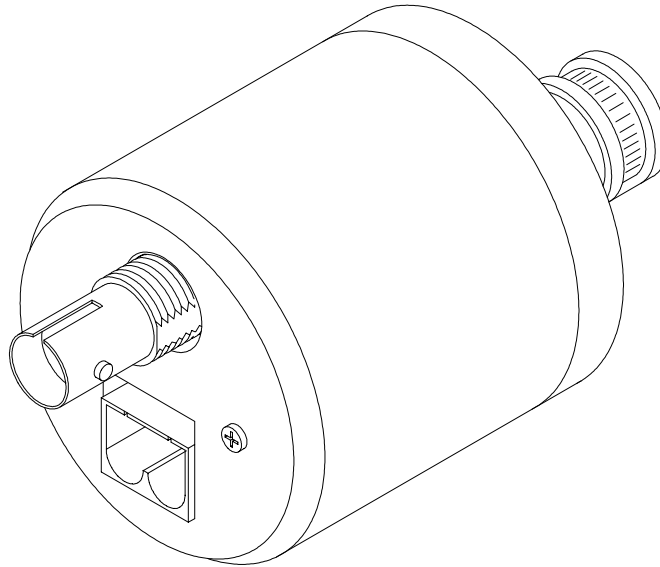




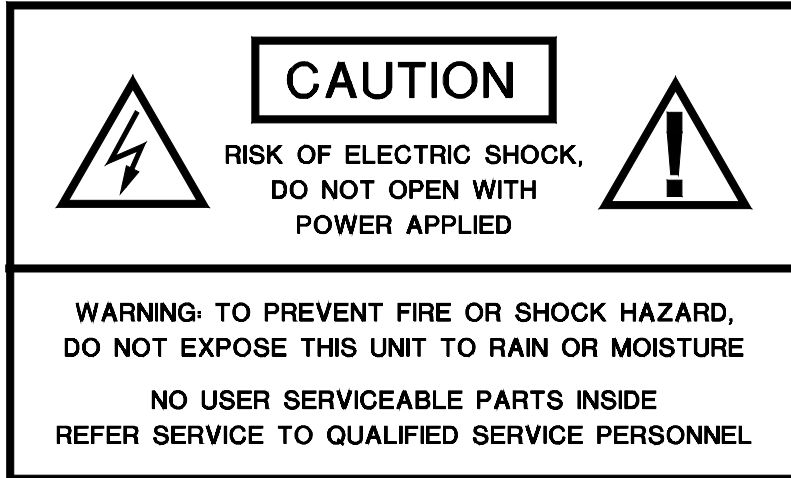
120 Belmont Drive
Somerset, NJ 08873-1204

American Fibertek

Phone: 732.302.0660 Fax: 732.302.0667



Instruction Manual
MTM-3
Mini Video Transmitter



INSTALLATION AND OPERATION INSTRUCTIONS

INTRODUCTION

Thank you for purchasing your American Fibertek MTM-3 multimode mini video transmitter. Please take a few minutes to read these installation instructions in order to obtain the maximum performance from this product.

FUNCTIONAL DESCRIPTION

The MTM-3 operates as half of a transmitter / receiver pair for the transmission of baseband NTSC, PAL, RS170, or RS343 video signals over a single multimode fiber optic cable. It is designed to operate with the MRM-300, RRM-300, or RRM-33 video receiver. The RRM-33 contains the electronics and optics of three RRM-300 units mounted on one printed circuit board to save space and reduce cost.

The MTM-3 converts a single video input into a single FM modulated optical output using a 1300 nm wavelength source. The M-3, M-300, and M-33 Series product is designed to operate over an optical loss budget range of 0 to 12 dB. The MTM-3 operates on 50 um or 62.5 um multimode fiber. Refer to the data sheets for detailed performance specifications.

The small size and light weight of the MTM-3 allows for direct mounting on the back of a camera in an enclosure. For a wall mounted version please see the MTM-300. For a rack mounted version please see the RTM-300 or RTM-33.

INSTALLATION

THIS INSTALLATION SHOULD BE MADE BY A QUALIFIED SERVICE PERSON AND SHOULD CONFORM TO THE NATIONAL ELECTRICAL CODE, ANSI/NFPA 70 AND LOCAL CODES.

Mount the unit directly to the output of a video source. Be sure to allow sufficient room for the required minimum bend radius of the fiber cable used.

POWER SOURCE

THIS PRODUCT SHALL BE POWERED BY A LISTED CLASS 2 POWER SUPPLY ONLY.

This unit requires a +12VDC power source for proper operation. Current draw is 100mA maximum. In the USA and in Canada an American Fibertek PS-12 is supplied with this unit. The negative side of the power input is directly connected to ground. ANSI/NFPA 70 Class 2 wiring is recommended.

POWER CONNECTION

Power is supplied to the unit via a two pin terminal connector. Follow label on unit for proper orientation of +12 volt dc and ground.

FIBER CONNECTION

The fiber optic connection is made via a ST connector located on the side of the unit.

VIDEO INPUT CONNECTION

The video input connection is made via a BNC connector on the side of the unit. The video input should be directly connected to an appropriate 75Ω baseband video source such as the output of a camera.

LIFETIME WARRANTY INFORMATION

American Fibertek, Inc warrants that at the time of delivery the products delivered will be free of defects in materials and workmanship. Defective products will be repaired or replaced at the exclusive option of American Fibertek. A Return Material Authorization (RMA) number is required to send the products back in case of return. All returns must be shipped prepaid. This warranty is void if the products have been tampered with. This warranty shall be construed in accordance with New Jersey law and the courts of New Jersey shall have exclusive jurisdiction over this contract. **EXCEPT FOR THE FOREGOING WARRANTY, THERE IS NO WARRANTY OF MERCHANTABILITY OR FITNESS FOR A PARTICULAR PURPOSE OR OTHERWISE, EXPRESSED OR IMPLIED, WHICH EXTENDS BEYOND THE WARRANTY SET FORTH IN THIS AGREEMENT.** In any event, American Fibertek will not be responsible or liable for contingent, consequential, or incidental damages. No agreement or understanding, expressed or implied, except as set forth in this warranty, will be binding upon American Fibertek unless in writing, signed by a duly authorized officer of American Fibertek.

SERVICE INFORMATION

There are no user serviceable parts inside the unit.

In the event that service is required to this unit, please direct all inquiries to:

American Fibertek, Inc.
120 Belmont Drive
Somerset, NJ 08873

Phone: (877) 234-7200
Phone: (732) 302-0660
FAX (732) 302-0667

E-mail: techinfo@americanfibertek.com