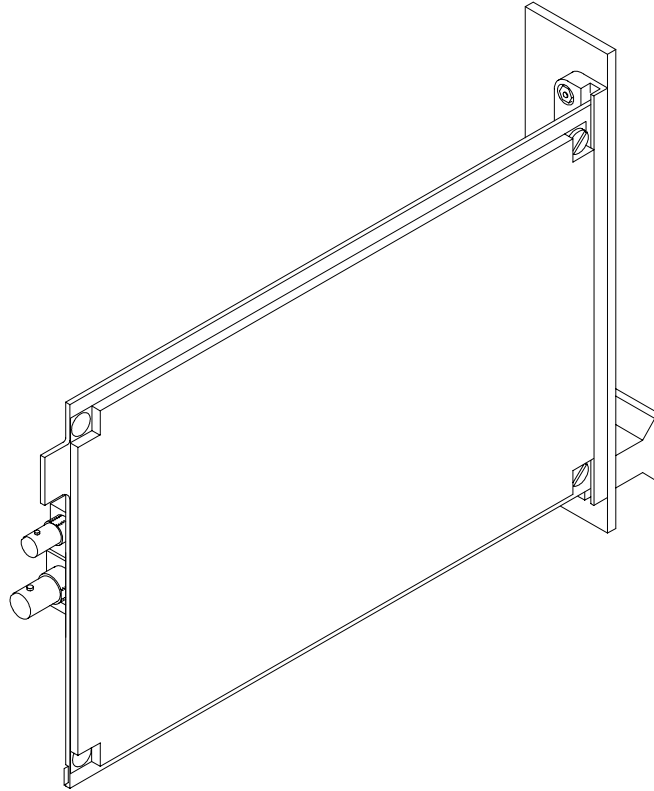




120 Belmont Drive
Somerset, NJ 08873-1204

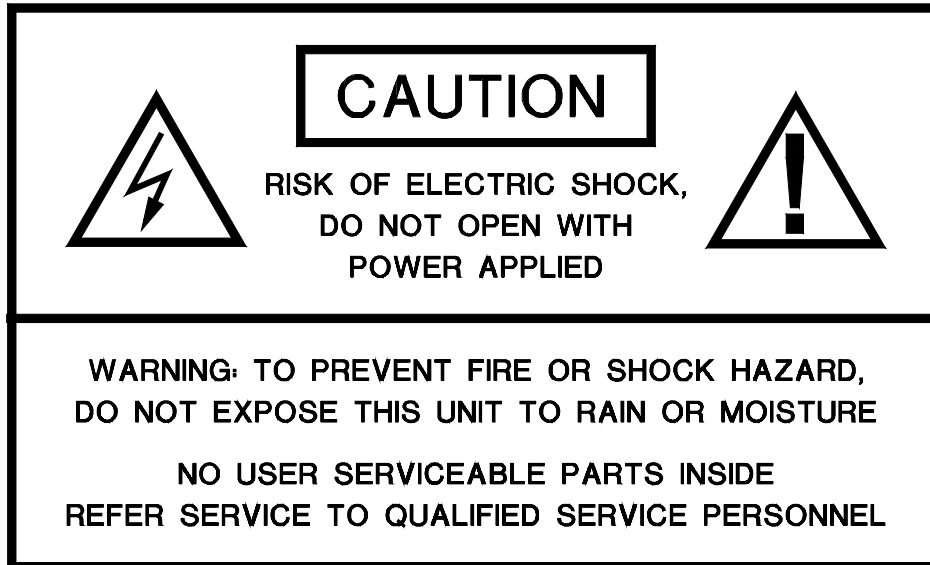
American Fibertek

Phone: 732.302.0660 Fax: 732.302.0667



Instruction Manual

RRM-300S Video Receiver



INSTALLATION AND OPERATION INSTRUCTIONS

INTRODUCTION

Thank you for purchasing your American Fibertek RRM-300S singlemode mini video receiver. Please take a few minutes to read these installation instructions in order to obtain the maximum performance from this product.

FUNCTIONAL DESCRIPTION

The RRM-300S operates as half of a transmitter / receiver pair for the transmission of baseband NTSC, PAL, RS170, or RS343 video signals over a single singlemode fiber optic cable. It is designed to operate with the MTM-300S, RTM-300S, or RTM-33S video transmitter. The RTM-33S contains the electronics and optics of three RTM-300S units mounted on one printed circuit board to save space and reduce cost.

The RRM-300S converts a single FM modulated optical input into a single video output using a 1300 nm wavelength detector. The M300S Series product is designed to operate over an optical loss budget range of 0 to 12 dB. The RRM-300S operates on 50 um or 62.5 um multimode fiber. Refer to the data sheets for detailed performance specifications.

This unit is designed for rack mounting in any of the three American Fibertek subracks available. The subrack model numbers are SR-20/1, SR-20R/1, and SR-20/2. Slide in rack mounting and a LED indicator provide for easy installation and monitoring of video and power.

The RRM-300S is designed for rack mounting only. For a modular stand alone version please see the MRM-300S.

INSTALLATION

THIS INSTALLATION SHOULD BE MADE BY A QUALIFIED SERVICE PERSON AND SHOULD CONFORM TO THE NATIONAL ELECTRICAL CODE, ANSI/NFPA 70 AND LOCAL CODES.

The unit slides into any open slot in the SR-20 subrack. Use a small screwdriver to push and lock the two ¼ turn fasteners into place. Please note that when installing this card in the position directly next to the power supply in the SR-20 subrack, it may be necessary to make the signal connections at the rear of the card before fully seating the card into its slot.

POWER SOURCE

Power to the unit is supplied by the subrack. Please refer to the SR-20 and PSR instructions for further details.

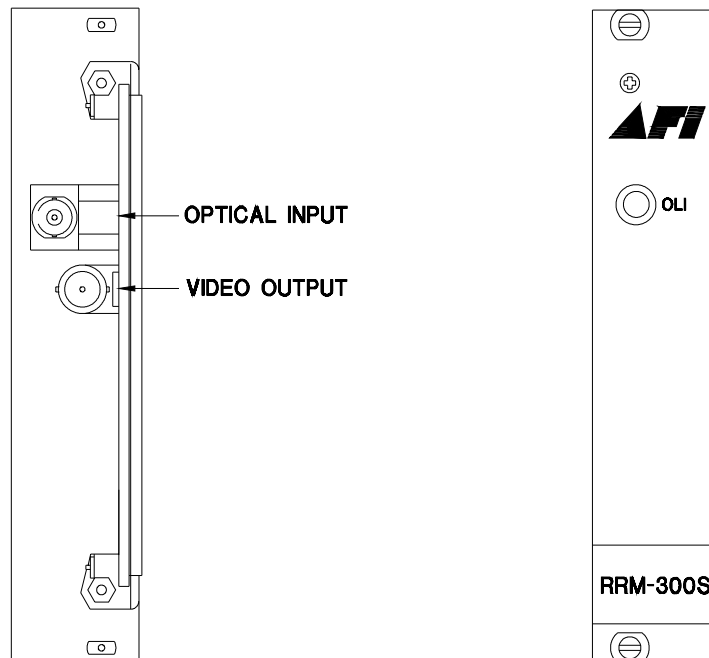
POWER CONNECTION

Power is supplied to the unit via a four finger backplane connector. The RRM-300S can be inserted into the subrack or removed from the subrack with power applied to the backplane.

INPUT / OUTPUT CONNECTIONS

The fiber optic connection is made via a ST connector located on the back of the unit. Be sure to allow sufficient room for the required minimum bend radius of the fiber cable used.

The video output connection is made via a BNC connector on the back of the unit. The 75Ω video output can be looped through typical baseband video inputs of switchers, recorders and other equipment as required. For proper operation, the output must be terminated with 75Ω. For optimum performance the video cables should be the shortest length of coax practical.



RRM-300S STATUS INDICATOR

The RRM-300S receiver provides the following LED status indicator to aid in installation and troubleshooting:

OLI

A bi-color LED indicator monitors the power of the optical signal that is being received at the RRM-300S from the MTM-300S, RTM-300S, or RTM-33S. DC power and optical input status associated with this LED is summarized below.

Optical Level Indicator	DC Power Status	Optical Status
Green	On	Proper Optical Input Power Present
Red	On	Optical Input Not Detected
Off	Off	Check Power Supply

LIFETIME WARRANTY INFORMATION

American Fibertek, Inc warrants that at the time of delivery the products delivered will be free of defects in materials and workmanship. Defective products will be repaired or replaced at the exclusive option of American Fibertek. A Return Material Authorization (RMA) number is required to send the products back in case of return. All returns must be shipped prepaid. This warranty is void if the products have been tampered with. This warranty shall be construed in accordance with New Jersey law and the courts of New Jersey shall have exclusive jurisdiction over this contract. **EXCEPT FOR THE FOREGOING WARRANTY, THERE IS NO WARRANTY OF MERCHANTABILITY OR FITNESS FOR A PARTICULAR PURPOSE OR OTHERWISE, EXPRESSED OR IMPLIED, WHICH EXTENDS BEYOND THE WARRANTY SET FORTH IN THIS AGREEMENT.** In any event, American Fibertek will not be responsible or liable for contingent, consequential, or incidental damages. No agreement or understanding, expressed or implied, except as set forth in this warranty, will be binding upon American Fibertek unless in writing, signed by a duly authorized officer of American Fibertek.

SERVICE INFORMATION

There are no user serviceable parts inside the unit.

In the event that service is required to this unit, please direct all inquiries to:

American Fibertek, Inc.
120 Belmont Drive
Somerset, NJ 08873

Phone: (877) 234-7200
Phone: (732) 302-0660
FAX (732) 302-0667

E-mail: techinfo@americanfibertek.com