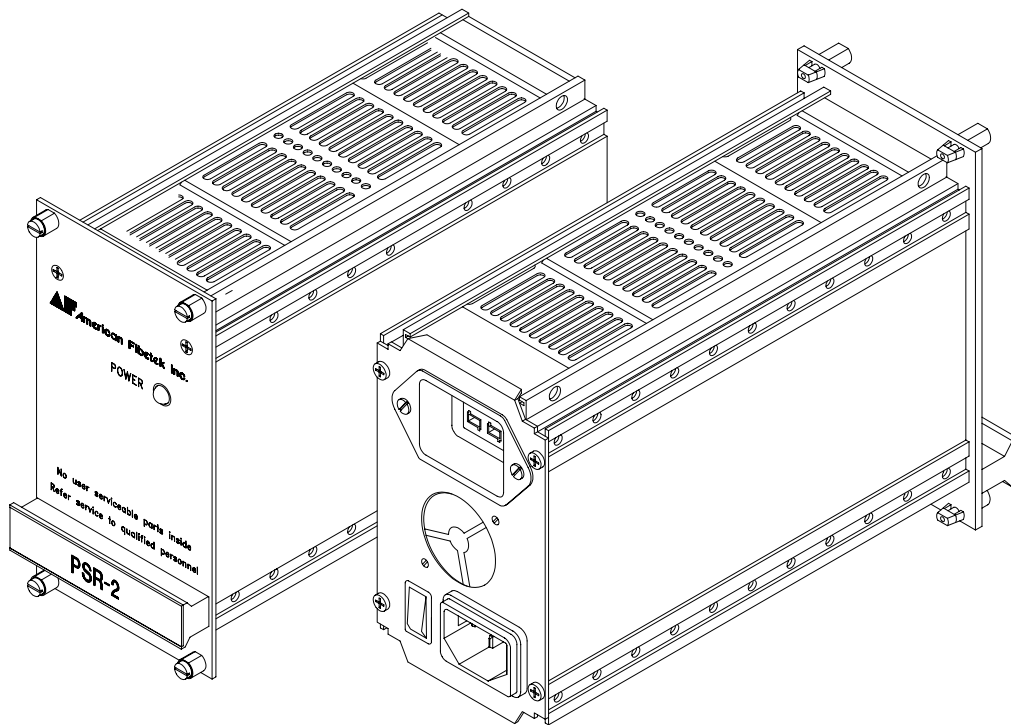


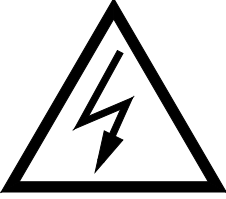

afi

120 Belmont Drive
Somerset, NJ 08873-1204


american fibertek Phone: 732.302.0660 Fax: 732.302.0667




PSR-2 Power Supply Instruction Manual

	<div style="border: 2px solid black; padding: 5px; text-align: center;">CAUTION</div> <p>RISK OF ELECTRIC SHOCK, DO NOT OPEN WITH POWER APPLIED</p>	
<p>WARNING: TO PREVENT FIRE OR SHOCK HAZARD, DO NOT EXPOSE THIS UNIT TO RAIN OR MOISTURE</p> <p>NO USER SERVICEABLE PARTS INSIDE REFER SERVICE TO QUALIFIED SERVICE PERSONNEL</p>		

GRAPHICAL SYMBOLS

 DO NOT open case.
No user serviceable parts inside.

 DO NOT open case.
Risk of electric shock.

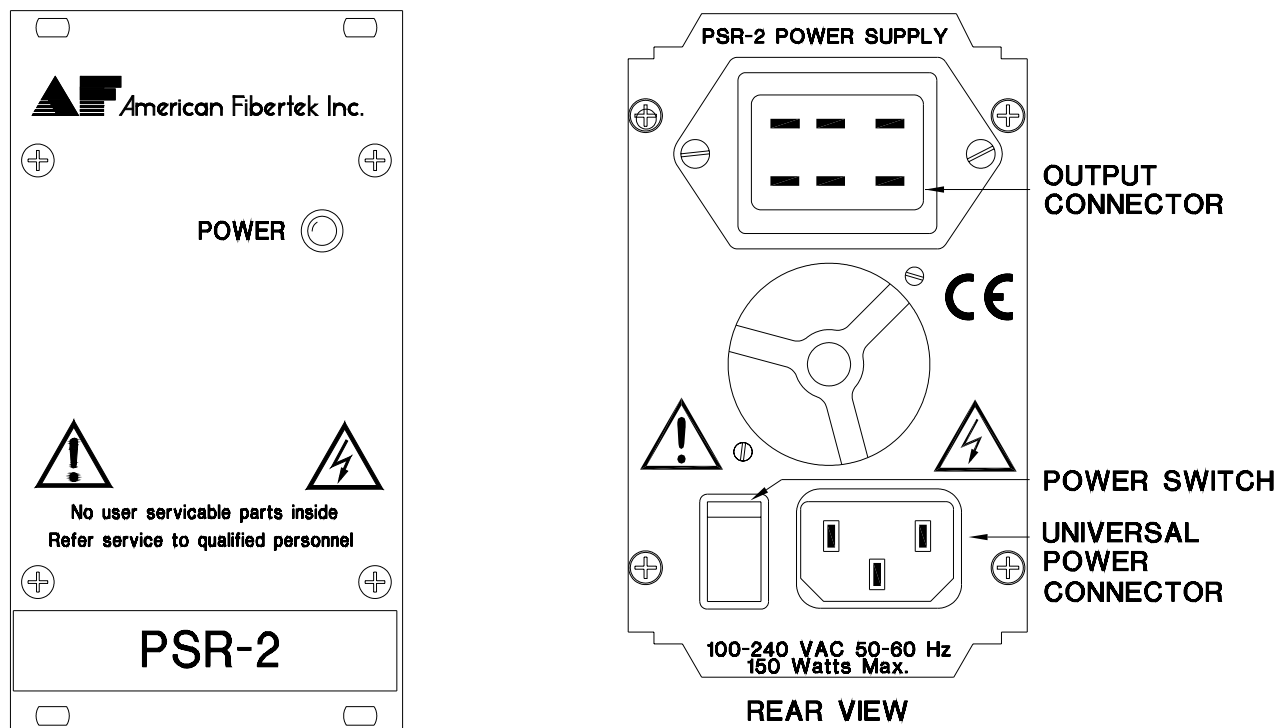
INSTALLATION AND OPERATION INSTRUCTIONS

INTRODUCTION

The PSR-2 is plug-in power supply unit for the SR-20 sub-rack frame. Utilizing state of the art, low noise, switching power supply technology, it allows up to 100 Watts of output power to be provided to the application cards. Over voltage and thermal protection are included in the unit. There are **no** user serviceable parts inside. Up to fourteen single or seven dual position plug in cards can be powered by the PSR-2

LINE VOLTAGE

For proper operation, the input line voltage should be in the range of 100 to 240 VAC, 50 - 60 Hz, properly grounded and conforming to all local codes. A universal power connector is provided on the rear of the unit to facilitate connection to the power mains.



INSTALLATION

This installation should be made by a qualified service person and should conform to all local codes. All wiring methods should be in accordance with the National Electric Code, ANSI/NFPA 70. The unit slides in and is locked into place by four ¼ turn fasteners. The line cord is then plugged in from the rear. Be sure that the power switch is in the off (O) position before connecting the power source.

The rear of the unit includes an exhaust fan. In order to insure long life and reliable operation, air-flow from the fan port should not be obstructed.

POWER INDICATOR

A front panel LED indicates the AC line (POWER) being present and the power switch being in the on (I) position. The ON/OFF switch is located on the rear of the unit. Be sure the switch is in the off (O) position before connecting to the power source. Please note that this supply is intended to be used with, and only when inserted into, an SR-20 sub-rack frame. Even though the output connector is recessed, there is potential for high current at the output.

The sub-rack SR-20 is supplied with a three-conductor power cord. The Ground conductor is directly connected to the chassis. See safety instructions.

LIFETIME WARRANTY INFORMATION

American Fibertek, Inc warrants that at the time of delivery the products delivered will be free of defects in materials and workmanship. Defective products will be repaired or replaced at the exclusive option of American Fibertek. A Return Material Authorization (RMA) number is required to send the products back in case of return. All returns must be shipped prepaid. This warranty is void if the products have been tampered with. This warranty shall be construed in accordance with New Jersey law and the courts of New Jersey shall have exclusive jurisdiction over this contract. **EXCEPT FOR THE FOREGOING WARRANTY, THERE IS NO WARRANTY OF MERCHANTABILITY OR FITNESS FOR A PARTICULAR PURPOSE OR OTHERWISE, EXPRESSED OR IMPLIED, WHICH EXTENDS BEYOND THE WARRANTY SET FORTH IN THIS AGREEMENT.** In any event, American Fibertek will not be responsible or liable for contingent, consequential, or incidental damages. No agreement or understanding, expressed or implied, except as set forth in this warranty, will be binding upon American Fibertek unless in writing, signed by a duly authorized officer of American Fibertek.

SERVICE INFORMATION

There are no user serviceable parts inside the unit.

In the event that service is required to this unit, please direct all inquiries to:

American Fibertek, Inc.
120 Belmont Drive
Somerset, NJ 08873

Phone: (877) 234-7200
Phone: (732) 302-0660
FAX (732) 302-0667

E-mail: techinfo@americanfibertek.com